

intrinsically safe pressure transmitter, ATEX version, accuracy 0,5 %



II 1G Ex ia IIC T6...T4 Ga
 II 1D Ex ia IIIC T₂₀₀85°C...T₂₀₀135°C Da
 II 1/2G Ex ia IIC T6...T4 Ga/Gb
 II 1/2D Ex ia IIIC T₂₀₀85°C...T₂₀₀135°C Da/Db

Certificate :
0425 ATEX 2635-01

8.X18

Protection type: intrinsic safety "ia" as per EN 60079-0, EN 60079-11.

Marking:

- II 1 G Ex ia IIC T6...T4 Ga

II 1 D Ex ia IIIC T₂₀₀85°C...T₂₀₀135°C Da (Cod. **G1D**) ⁽¹⁾;

- II 1/2 G Ex ia IIC T6...T4 Ga/Gb

II 1/2 D Ex ia IIIC T₂₀₀85°C...T₂₀₀135°C Da/Db (Cod. **G2D**).

Measuring ranges: 0...1/0...600 bar, relative; -1...0/-1...+24 bar, relative;
0...1/0...25 bar, absolute.

Output signal: 4...20 mA.

Non-linearity (BFSL): ≤ ± 0,25 % of the range, according to IEC 61298-2.

Non-repeatability: ≤ 0,1 % of the range, according to IEC 61298-2.

Accuracy: ≤ ± 0,5% of the range ⁽²⁾.

Thermal drift: between 0 and 80°C, 1% of span; 2,5% of span, max ⁽³⁾.

Long term drift: ≤ 0,2 % of span.

Zero and span adjustment: ± 10 % span typical.

Stocking temperature: -20...+80 °C.

Response time: <4 ms (measuring); <150 ms (switching on).

Emission and immunity: according to EN 61326,
(group 1 - class B; industrial applications).

Vibration resistance: 20g (10...2000 Hz, according to IEC 60068-2-6).

Shock resistance: 40g (6 ms, according to IEC 60068-2-27).

Sensor: ceramic in Al₂O₃.

Case: in AISI 316L, vented up to 16 bar.

Protection degree: IP 65/68 according to IEC 60529 ⁽⁴⁾.

Process connection: in AISI 316L, hole ø 2,5 mm (with restrictor ø 0,7 mm for measuring ranges ≥ 60 bar).

Weight: 0,20 kg

(1) available with an IP 68 metallic cable gland only;

(2) max measuring error according to IEC 61298-2, including non-linearity and hysteresis (limit-point calibration and reference conditions according to IEC 61298-1); accuracy ≤ ± 0,75% of span for measuring ranges 0...1 bar and 0...600 bar.

(3) + 0,5% of span for measuring range 1 bar

(4) depending on the type of electrical connection

Ranges bar, relative	Overpressure bar, relative
0...1	3
0...1,6	5
0...2,5	5
0...4	8
0...6	12
0...10	20
0...16	32
0...25	50
0...40	80
0...60	120
0...100	200
0...160	320
0...250	500
0...400	600
0...600	800

Other ranges available on demand. Units of measurement available in psi, MPa, kPa too.

Compliance with requirements of directives: ATEX 2014/34/EU- EMC 2014/30/EU - PED 2014/68/EU - RoHS 2011/65/CE

intrinsically safe pressure transmitter, ATEX version, accuracy 0,5 %

SX 18

RC9-11/23

IN ORDER TO IMPROVE THEIR PRODUCTION, MESSRS. NUOVA FIMA RESERVE THE RIGHT TO THEMSELVES TO MAKE ALL THE MODIFICATIONS THAT THEY DEEM INDISPENSABLE AT ANY TIME. UPDATED DATA SHEETS ARE AVAILABLE ON SITE: www.nuovafima.com

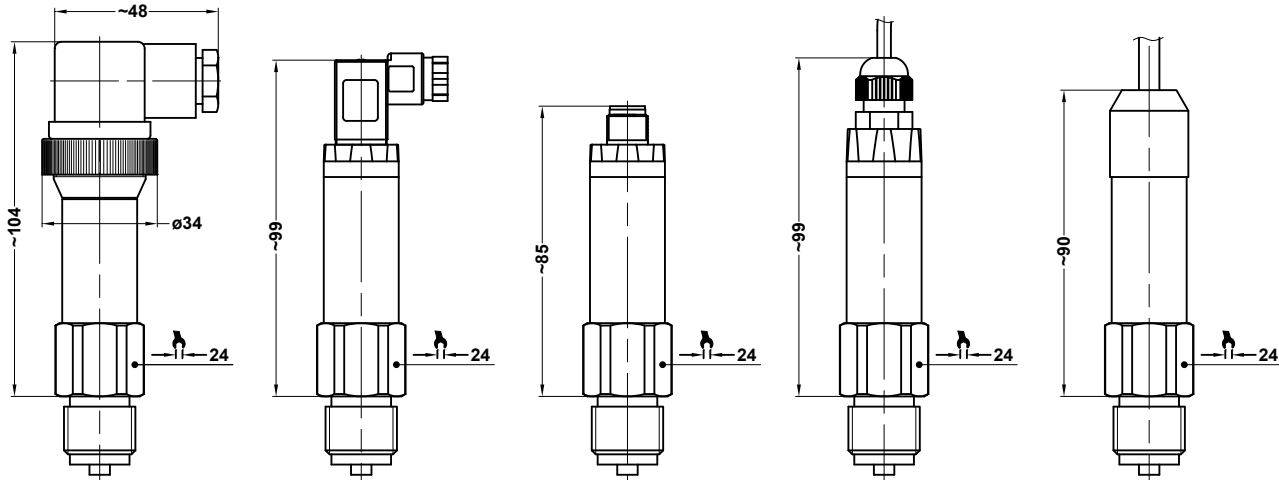
EN 175301-803 (Ex DIN 43650)
IP 65 (standard)

EN 175301-803 Form C
(Ex DIN 43650)
IP 65

M 12 x 1
IP 65

Cable exit
IP 65

Cable exit
IP 68



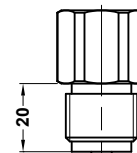
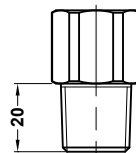
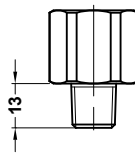
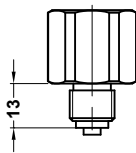
Dimensions: mm; (1) for pressures ≥ 160 bar add 5 mm

21M - G 1/4 A

23M - 1/4-18 NPT

43M - 1/2-18 NPT

41M - G 1/2 A



WIRING

	DIN 175301-803 A	M12 x 1	Cable exit
Supply connection: U+	1	1	brown
Negative connection: U-	2	3	white
Output signal: S+	-	-	-
Ground	GND	2	grey

OPTIONS

Classification	
---	Junction box IP 65, as per EN 175301-803 Form A
SCC	Junction box IP 65, as per EN 175301-803 Form C (1)
M12	Junction box IP 65, M12 x 1 (1)
PVC	Cable exit IP 65, with PVC cable (1)
U68	Cable exit IP 68, with vented polyurethane cable (1)
CRP	CR gasket
EPD	EPDM gasket
NBR	NBR gasket
FPM	VITON gasket

Electrical features	
N. of wires	2
Load (Ohm)	$R_L \leq (V_{in}-10)/0,02$
Supply: (Ui)	10...30 Vdc
Max current (Ii)	≤ 100 mA
Max power (Pi)	1,0 W
Capacitance (Ci)	19 nF
Inductivity (Li)	0 mH

(1) Zero calibration not available

“HOW TO ORDER” SEQUENCE

Section / Model / Range / Process connection / Output signal / Classification / Temperature / Gasket / Options
8 X18 41M 1 G1D --- CRP --- ... U68
43M G2D
21M NBR
23M FPM

Copyright © Nuova Fima S.r.l. All rights reserved. Any part of this publication should not be reproduced without a written Nuova Fima S.r.l. approval

NUOVA FIMA USA Inc.
www.nuovafima.com - e-mail: infousa@nuovafima.com
 4123 Hollister, Suite G - TX 77080 Houston
 TEL. +1 713.690.9800 - FAX +1 713.690.9803

-2-

NUOVA FIMA srl
www.nuovafima.com - e-mail: info@nuovafima.com
 P.O. BOX 58 - VIA C. BATTISTI 59 - 28045 INVORIO (NO) ITALY
 TEL. +39 0322 253200 - FAX +39 0322 253232

